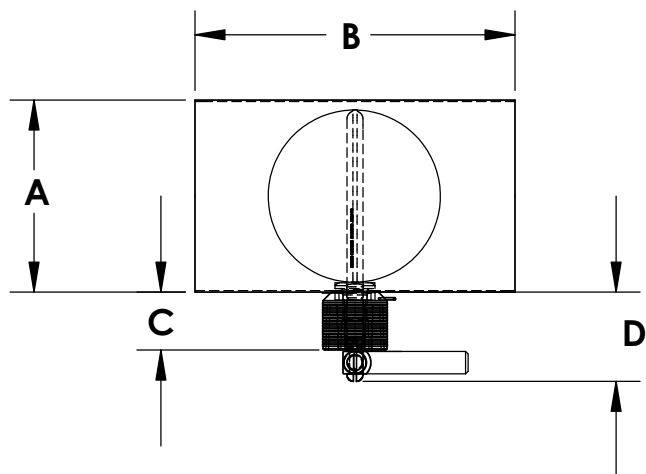


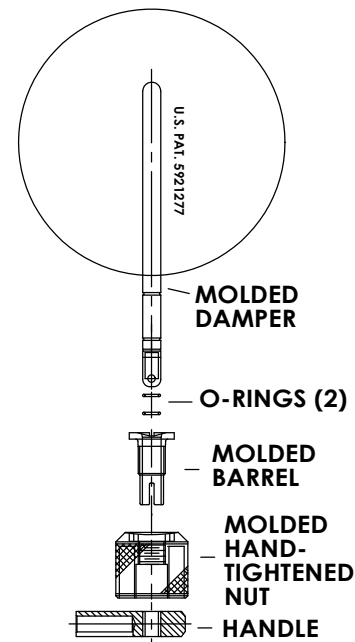
# STUD DAMPER SPECIFICATIONS.



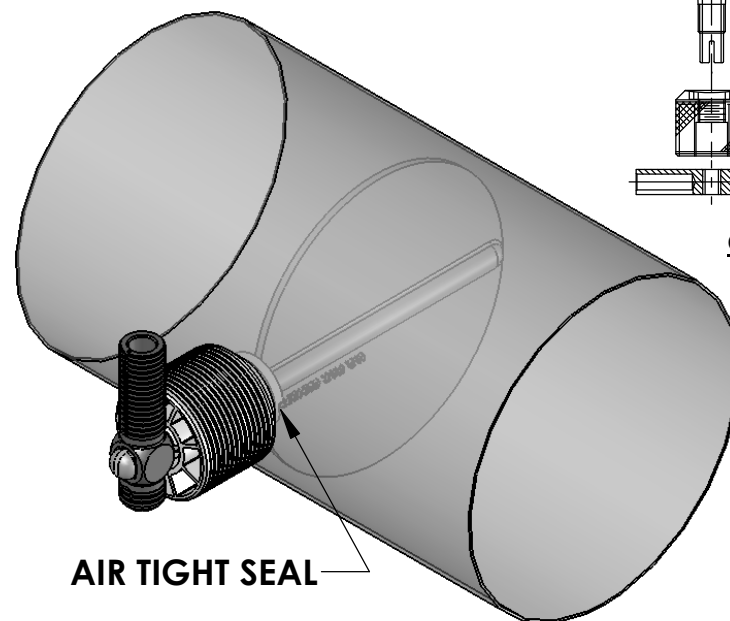
**DAMPER SIZES. INCHES**

<b>A</b>	6	7	8	9	10	12
<b>B</b>	8.5	9.5	10.5	11.5	12.5	14.5
<b>C</b>	1.81	1.81	1.81	1.81	1.81	1.81
<b>D</b>	3.09	3.09	3.09	3.09	3.09	3.09

DAMPER DIAMETER IS FABRICATED UNDERSIZED FOR AN EDGE-GAP OF 1/8 INCH.



**COMPONENTS**  
NOT TO SCALE



## ENERGY EFFICIENCY

SINGLE HOLE INSTALLATION CREATES AN AIRTIGHT SEAL AROUND SHAFT PENETRATION.  
NO EXTERNAL DUCT LEAKAGE UP TO 6" W.G.

## OPERATION

DAMPERS ARE DESIGNED FOR COMMERCIAL DUCTING.  
AUTOMATICALLY LOCKS INTO A STATIONARY POSITION ONCE ADJUSTED TO FINAL SET-POINT.

## SPECIFICATIONS

DAMPER BLADE IS 0.13" THICK (8 GAUGE) AND MOLDED AS A ONE-PIECE UNIT WITH 1/2" SHAFT.  
SHAFT ROTATES INSIDE DOUBLE BUNA-N O-RINGS, ENCASED IN AN AIR-TIGHT BARREL.  
MAXIMUM OPERATING TEMPERATURE IS 170 DEG. F.  
HANDLE STANDOFF IS OVER 1 3/4 ". EASILY ACCEPTS DUCT WRAP INSULATION.

## MATERIAL

U.L. 723 COMPLIANT PER 18.2 (E)  
U.L. APPROVED ABS MATERIAL. FLAME RETARDANT 94 5VA RATING.  
DUCT SLEEVE MADE OF 24 GAUGE GALVANIZED STEEL.

DIMENSIONS ARE IN INCHES  
TOLERANCES:  
FRACTIONAL ± .06  
ANGULAR: MACH ± BEND ±  
TWO PLACE DECIMAL ±.06  
THREE PLACE DECIMAL ±.030

MATERIAL SEE NOTES  
FINISH --  
DO NOT SCALE DRAWING

	NAME	DATE
DRAWN	H. LUNDIN	2-06-2008
CHECKED		
ENG APPR.	T. FOY	X-XX-2008
MFG APPR.		
Q.A.		

COMMENTS:  
U.S. PATENT:  
5921277



## SPECIFICATIONS, VOLUME CONTROL DAMPER IN SLEEVE

SIZE	DWG. NO.	REV.
<b>A</b>	/AirTest-SpecSheet-R8-2009May13.slddrw	<b>8</b>
SCALE: NONE		WEIGHT:
		SHEET: 1 OF 1